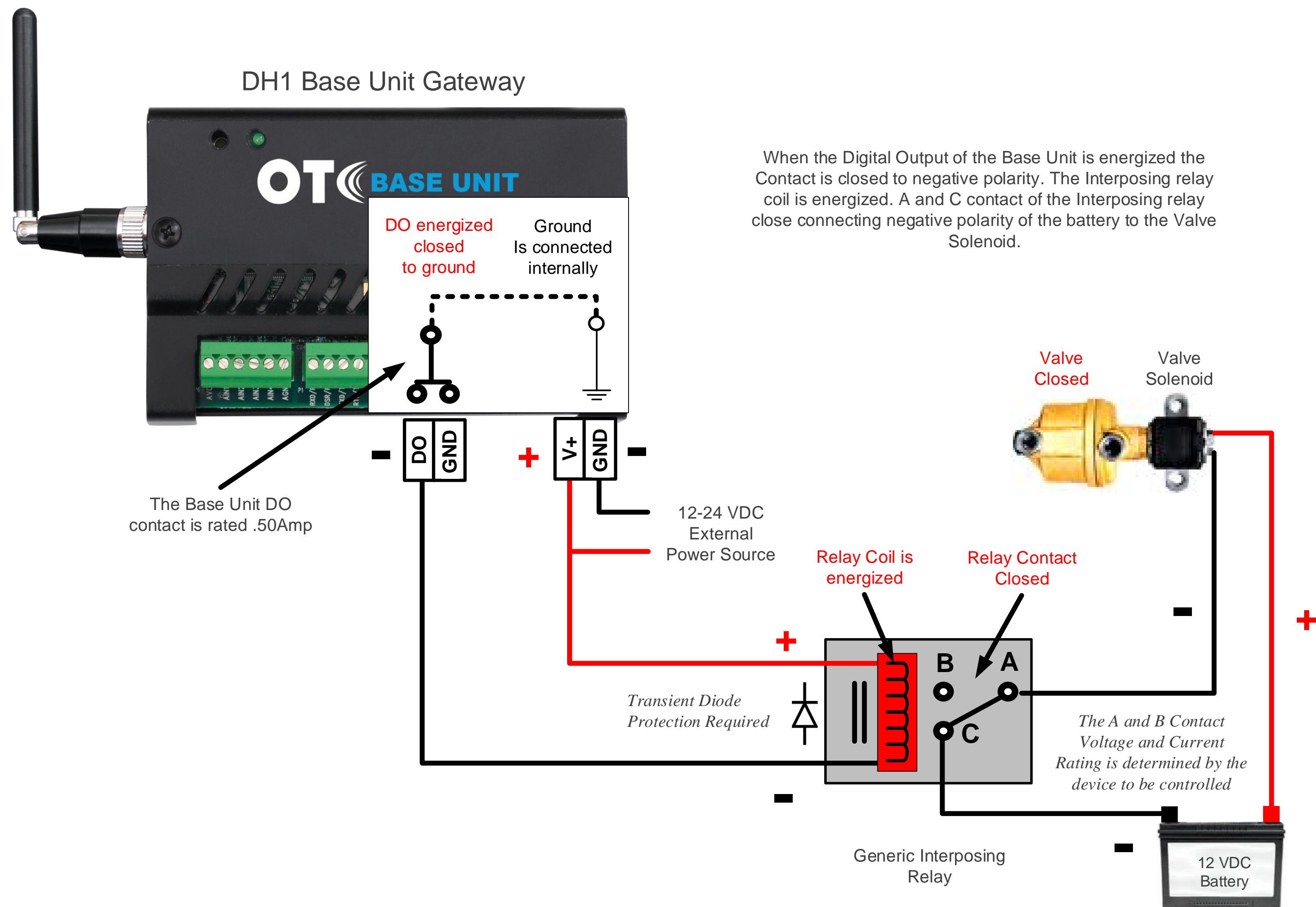


# Base Unit Digital Output Energized to Interposing Relay Valve Solenoid

APPLICATION DRAWING



When the Digital Output of the Base Unit is energized the Contact is closed to negative polarity. The Interposing relay coil is energized. A and C contact of the Interposing relay close connecting negative polarity of the battery to the Valve Solenoid.