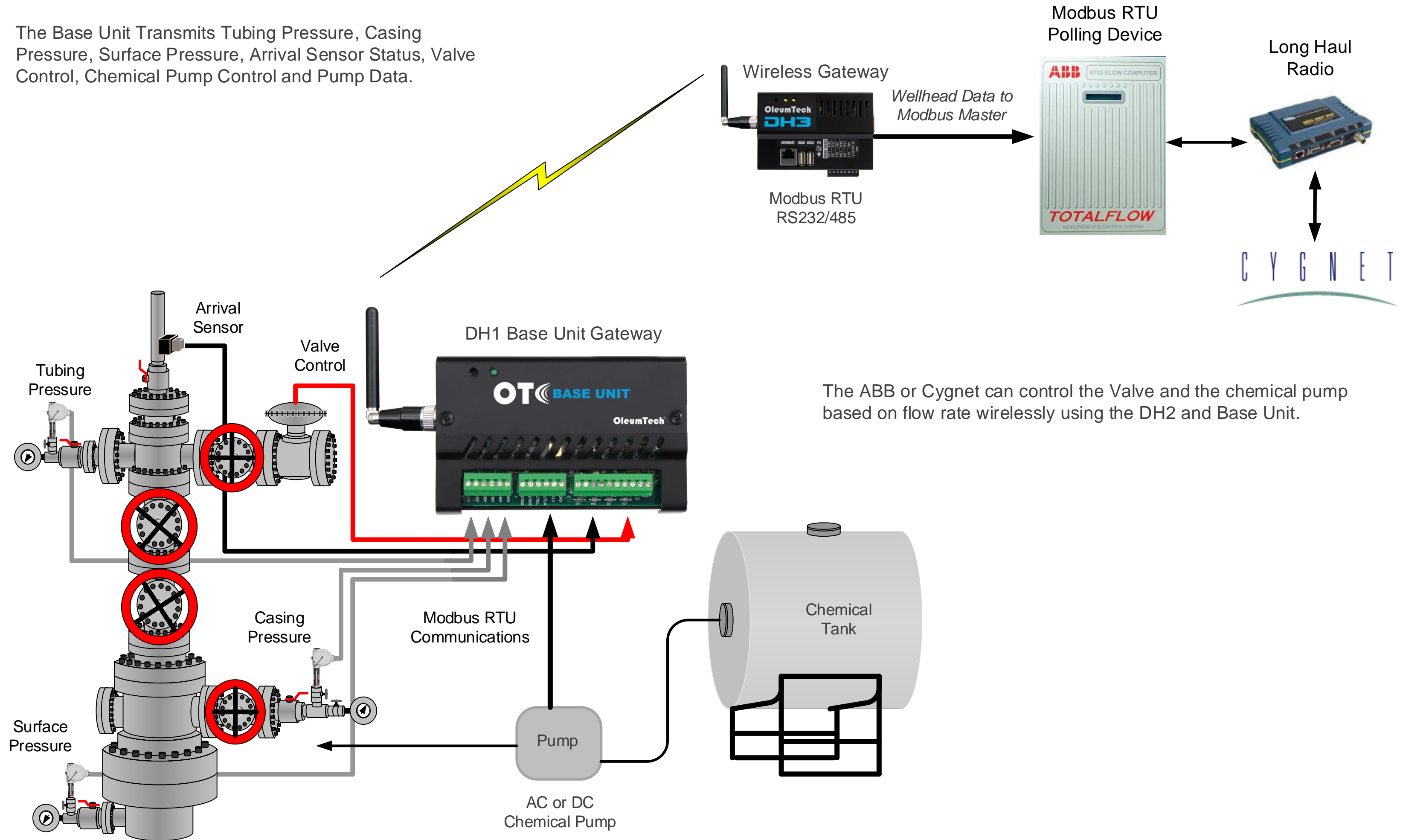


APPLICATION DRAWING

The Base Unit Transmits Tubing Pressure, Casing Pressure, Surface Pressure, Arrival Sensor Status, Valve Control, Chemical Pump Control and Pump Data.



The ABB or Cygnet can control the Valve and the chemical pump based on flow rate wirelessly using the DH2 and Base Unit.